

NMEA2000® Wind Sensor

Description

VDO NMEA2000 Wind Sensor is one of the most accurate wind sensors. It was developed to support all kinds of sailors, showing wind speed and wind angle data.

The sensor sends apparent wind data signals. These can be easily recalculated by AcquaLink system or compatible systems (a boat speed data has to be present), so that the user can decide to sail using Apparent or True information.

The sensor can have 2 different kind of cable length: 10 and 30 meters. The cables enable easier installation and refitting (installation bracket included in the packaging).

Installation Bracket permits different methods: Top mast and Lateral mast installation (for higher detail please refer to installation instruction manual).

The legacy wind vane turns in the direction of the wind and steers the wind direction gauge. The wind cups record the relative wind speed, which in turn, is displayed on the wind speed gauge.

This unit is NMEA2000 CERTIFIED and is only compatible with other NMEA2000 CERTIFIED instruments.



A2C59501983

Part Number	Description	Type	Measurement range
A2C59501984	NMEA2000 Wind Sensor	NMEA2000	725mm x 360mm

Features

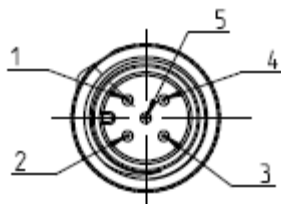
- M12 5 Pins
- 360° movement (wind vane and Wind rotor)
- < 30 mA
- Operating temperature range -10 °C / +65 °C
- Storage temperature range -30 °C / +80 °C
- Wind Vane with contactless inductive sensor

Technical Data	
Dimensions	WxH: 725mmx360mm
Operating Voltage	10 -32 VDC
Current Consumption	<30 mA
Operating Temperature	-10°C to +65°C
Storage Temperature	-30°C to +80°C
Measuring principle (wind direction)	Wind Vane with contactless inductive sensor
Measuring principle (wind Speed)	Impeller with Hall chip
Accuracy (direction)	+/-1°
Reading(direction)	1°
Operating range (direction)	+/-180°
Accuracy (Speed)	+/-1 Knots
Reading (speed)	0.1 < 20bft (Kn ,m/s, Km/h); 1.0 > 20bft (Kn, m/s, Km/h)
Operation range (speed)	1.0-68Kn; 0.5m/s-35m/s; 1.8-126Km/s; 1-12bft
Output Range	1 value/sec.
Mounting/Fixing	Top mast mount or later mast mount
Protection Class	IEC 60945 exposed equipment (extended IPX6)
Flammability Cable	UL-94 V0
EMC	IEC 60945:2002 / ISO7637-2
Approval	CE, NMEA2000

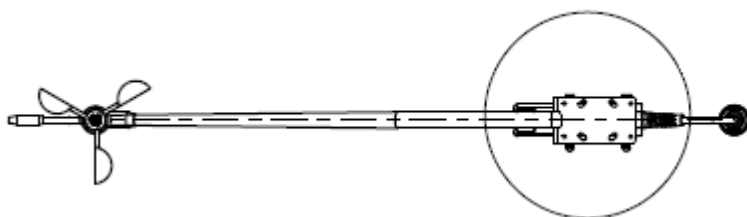
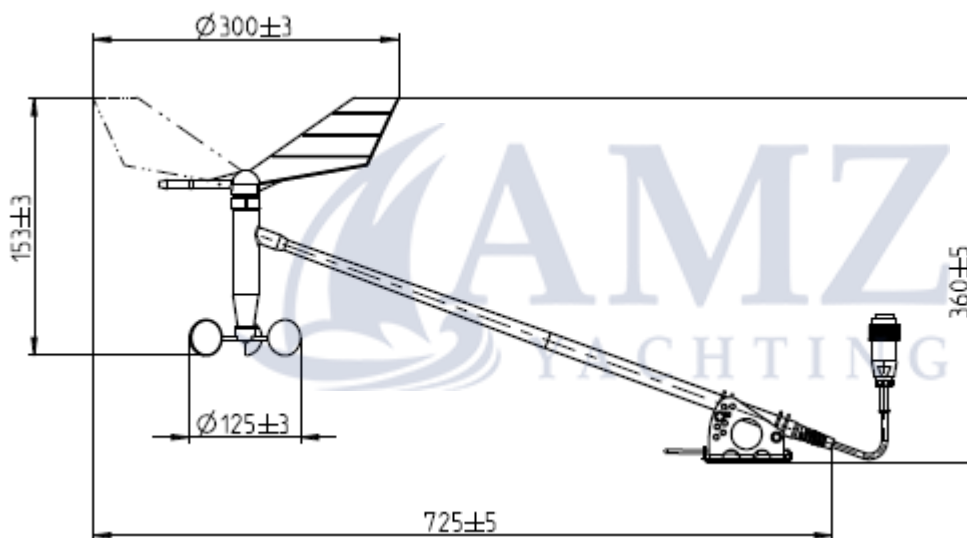
Connectors

NMEA2000 5 pin:

Pins	Function
1	Shield
2	NET-S (V+)
3	NET-C (V-)
4	NET-H (CAN-H)
5	NET-L (CAN-L)



Mechanical Design



Accessories

Part Number	Item specifics
A2C96243700	NMEA2000 Cable 0,5m
A2C96243800	NMEA2000 Cable 2,0m
A2C39308500	NMEA2000 Infield Installation Connector Female
A2C39310500	NMEA2000 Infield Installation Connector Male
A2C39312700	T Splitter NMEA2000
A2C39310600	NMEA2000 Terminator Female
A2C39311000	NMEA2000 Terminator Male
A2C39312500	NMEA2000 Inline Terminator
A2C39312900	NMEA2000 Power cable
A2C59501948	NMEA2000 Cable 6m
A2C59501949	NMEA2000 Cable 10m
A2C96244200	NMEA2000 Cable 30m

